

Living up to Life

Leica

MICROSYSTEMS

Leitz Optilux

Affordable Innovation



Affordable Innovation

Leica Microsystems, with 165 years of microscope design and manufacturing experience, combines the latest technology in optics, mechanics, and illumination in the new Leitz Optilux microscope.

Robust construction:

- › Maintenance-free, sealed, brass shaft, focus mechanism; the same design that is used in Leica Microsystems' clinical microscopes provides accurate focus control over the life of the microscope
- › Spring-loaded, high-magnification objectives prevent broken specimen slides
- › Designed to International Safety Standards

Optimized Illumination and Optics:

- › LED illumination saves the cost of replacement lamps and provides a cool white light for over 20 years of average use at 80% lower energy consumption
- › Leica EZLite™ illumination system provides an evenly illuminated field of view for accurate specimen viewing

- › The illumination system provides stable, true daylight quality with a wide brightness ratio of 200 to 1
- › Superb optical performance as a result of the illumination, objective, viewing tube, and eyepiece working seamlessly together

Easy of use

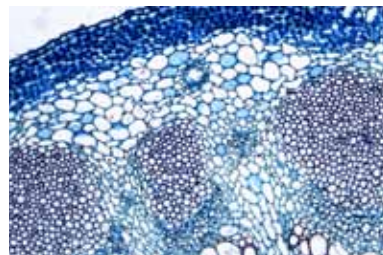
- › Coaxial focus mechanism for intuitive control
- › Compact size with small footprint for easy storage and carrying
- › Continuous light intensity control for comfortable viewing with specimens of various thickness and color
- › Monocular EZTube™ with integrated eyepiece prevents loss and also provides continuous 360° tube rotation for shared viewing and easy storage



Convallaris - Lily of the Valley



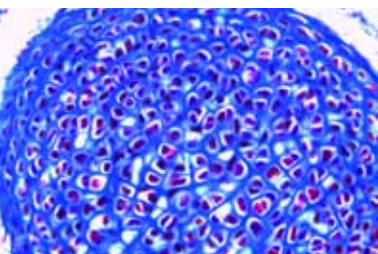
Taste Buds



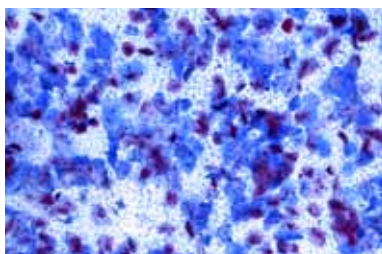
Sunflower



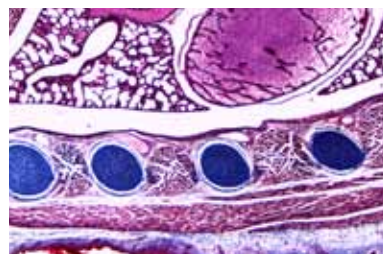
Giant Chromosomes



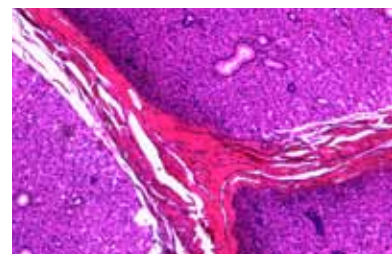
Mouse Embryo



Squamous Epithelium



Mouse Embryo



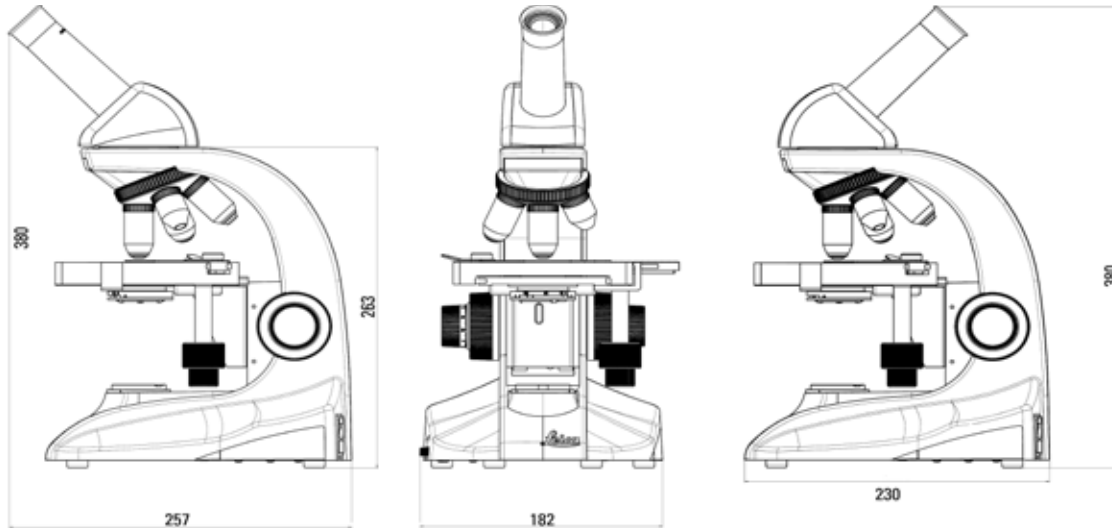
Parotid Gland



Benefits: Leitz Optilux

- › Maintenance free brass shaft focusing mechanism for years of trouble free use
- › Built-in mechanical stage with low position X/Y controls for accurate specimen movement at high magnifications
- › Leitz EZLite™ for optimized image quality across the full field of view

Dimensions



Specifications Leitz Optilux

EZTUBE™ MONOCULAR TUBE

- › 45 degree viewing angle
- › 10×/18 eyepiece integrated into eyetube
- › Attached to stand with 2 set screws
- › Rotatable mounting
- › Available with and without pointer

STAND

- › Stand shape protects controls
- › Stand construction – die-cast aluminium
- › External fuses
- › Knurled nosepiece control
- › 4 position nosepiece
- › Drop in holder for 32 mm mounted or not mounted filters

EZLITE™ ILLUMINATION

- › Preset field aperture
- › LED illumination – 6000 K temp, 25000 h life at full intensity
- › Continuous intensity adjustment
- › Illumination enough for viewing at lowest intensity
- › Simple polarizing kit available

CONDENSER

- › Prefocused and precentered condenser
- › NA = 0.9/1.25 oil - Adjustable diaphragm with magnification labels

STAGE

- › Mechanical Right handed
- › Size: 13.5 cm (X) × 13.5 cm (Y)
- › Travel: 7.8 cm (X) × 3.6 cm (Y)
- › Front loading specimen holder for one standard slide

FOCUS

- › Coaxial focus controls
- › Self-adjusting focus mechanism
- › 300 microns per fine focus rotation
- › Calibrated in 3 micron increments

CERTIFICATIONS

- › cULus, CE, RoHS

SHIPPING

- › Dimensions: 45 cm × 31.5 cm × 42 cm
- › Weight: 6.5 kg

ARTICLE NUMBER

13 613 306 Leitz Optilux, Monocular, Abbe Condenser, Plan Objective 4×, 10×, 40×, 100×, Immersion Oil